

Complete Sectionizer Model

Complete Sectionizer unit comes with Blade Cup of your choice, and corresponding Plunger.

Units Per Master Ctn.	Weight Per Master Ctn.	Suggested List Price
1	15	\$242.00

Complete Model	Blade Cup Style	Description
S-101	4 Wedge	4 evenly spaced and cut wedges.
S-102	6 Wedge	6 evenly spaced and cut wedges.
S-103	6 Slice	6 slices 5/16" thick. Must use plunger #10.
S-104	8 Wedge	8 evenly spaced and cut wedges.
S-105	3-in-1	2 halves scored in 3 wedges each (primarily for school foodservice).
S-107	Single	Cuts fruits & vegetables in half.
S-110	10 Wedge	10 evenly spaced and cut wedges.

Basic Sectionizer Model

S-100 – Basic Sectionizer Unit
No Plunger and No Blade Cup

Units Per Master Ctn.	Weight Per Master Ctn.	Suggested List Price
1	14	\$211.00

Apple Sectionizer Model

S-106 – Apple Model
6 evenly spaced and cut wedges with center core removed.

Units Per Master Ctn.	Weight Per Master Ctn.	Suggested List Price
1	15	\$263.00

Tomato Sectionizer Model

S-109 – Serrated Blades - Tomato Model
7 evenly spaced and sliced - recommended for tomatoes, kiwis, mushrooms, strawberries and hardboiled eggs.

Units Per Master Ctn.	Weight Per Master Ctn.	Suggested List Price
1	15	\$255.00

Individual Parts – Optional

8 wedge, 6 wedge, 4 wedge, 3-in-1 and single wedge cups are interchangeable and use the same plunger. A wedger may be changed to a slicer or slicer to wedger by replacing cup, plunger and neoprene cup cover.
S-32 Apple Blade Cup can only be used with S-33 Apple Plunger.

Part Number	Parts Description	Price
S-1	Foot Pad (set of 6)	\$ 4.00
S-2	Base Assembly	124.00
S-3B	Blade Cup w/cover (6 wedge) (fits S-9)	52.00
S-4B	Blade Cup w/cover (6 slice) (fits S-10)	66.00
S-5B	Blade Cup w/cover (4 wedge) (fits S-9)	49.00
S-6	Wedger Cup cover (sold w/S-3, S-5, S-29, S-30, S-32, S-35)	13.00
S-7	Slicer Cup cover (sold w/S-4)	13.00
S-8	Outer Shell	62.00
S-8D	Pin & Thread Assembly	6.00
S-9	Plunger Wedger (fits parts S-3, S-5, S-29, S-30, S-35)	26.00
S-10	Plunger Slicer (fits S-4)	26.00
S-11	Crossbar Assembly	52.00
S-11C	Brass Knob	3.00
S-11D	Brass Stud	3.00
S-12	Back Screw #8 x 1/2" (set of 8)	2.00
S-13	Back Cover	27.00
S-14	Spring Pin (set of 2)	2.00
S-15	7 Slice Blade Cup w/cover (fits S-16)	80.00
S-16	Plunger Tomato Slicer (fits part S-15)	30.00
S-17	Tomato Set (S-15 & S-16)	103.00
S-19	Wedger Cup Cover	13.00
S-20B	Blade Cup w/cover	56.00
S-21	Plunger	27.00
S-22	10 Wedge Set	77.00
S-23	Gears & Shaft Set	64.00
S-24	Base Side Screw 6-32 x 1 1/2" (set of 10)	2.00
S-25	Plastic Shaft Cover	8.00
S-26	Handle	19.00
S-27	Knob	16.00
S-28	Bottom Screw #8 x 1 1/2" (set of 4)	2.00
S-29B	Blade Cup w/cover (8 wedge) (fits S-9)	54.00
S-30B	Blade Cup w/cover (3-in-1) (fits S-9)	60.00
S-31	Plastic Production Stand (see below)	108.00
S-32B	Apple Corer Cup (fits S-33)	90.00
S-33	Apple Plunger (fits S-32)	32.00
S-34	Apple Corer Set (S-32 & S-33)	108.00
S-35B	Blade Cup w/cover (single) (fits S-9)	46.00

Plastic Production Stand (Optional)










Part Number S-31

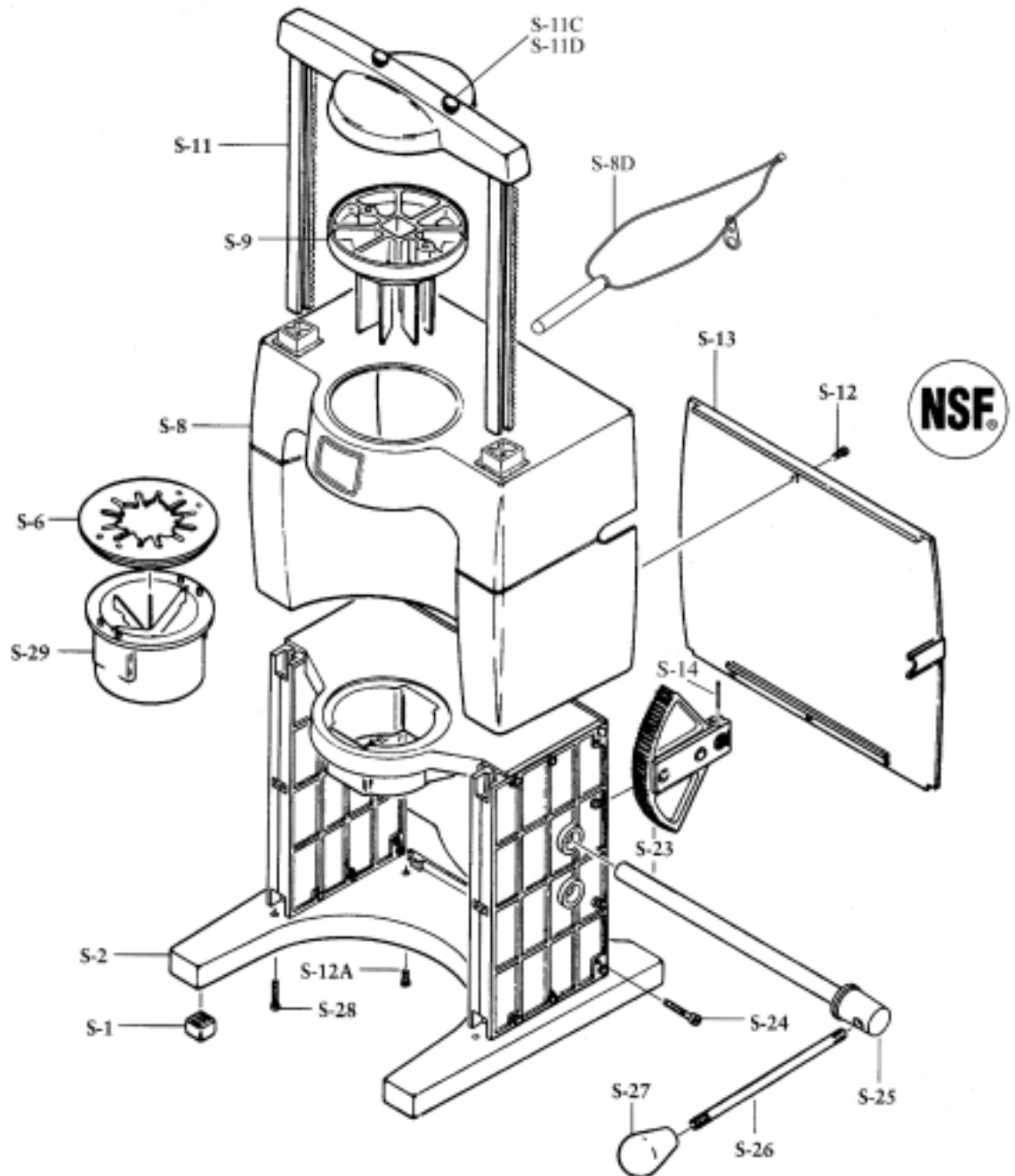


A sturdy plastic stand that allows serving pans to pass under the sectionizer for greater production flexibility.

Overall dimensions 5 3/4" high, 14 1/2" wide
Shipping Weight 2 lbs., 3 oz.

Blade Cup Styles

	PLUNGER S-9 CUP S-5
4 Wedge	
	PLUNGER S-9 CUP S-3
6 Wedge	
	PLUNGER S-10 CUP S-4
6 Slice	
	PLUNGER S-9 CUP S-29
8 Wedge	
	PLUNGER S-9 CUP S-30
3-in-1	
	PLUNGER S-33 CUP S-32
Apple Model	
	PLUNGER S-9 CUP S-35
Single	
	PLUNGER S-16 CUP S-15
Tomato Model	
	PLUNGER S-21 CUP S-20
10 Wedge	



Complete Sectionizer Specifications

Safe...Listed by NSF International®.

Overall dimensions15½" high, 15¼" wide, 13⅝" deep
 Net weight13 pounds
 Shipping weight15 pounds
 Cube2.32
 Carton size17½" high, 17¼" wide, 13¼" deep

www.sunkistfs.com/equipment

All prices quoted are subject to change without notice. The amount of any present or future tax shall be paid by the purchaser. Address all inquiries to your local dealer, or contact Sunkist Foodservice Equipment Customer Service at (800) 383-7141.

Products must not be returned to Sunkist without a return authorization number.



Commercial Juicer #8 Information

Suggested Price List

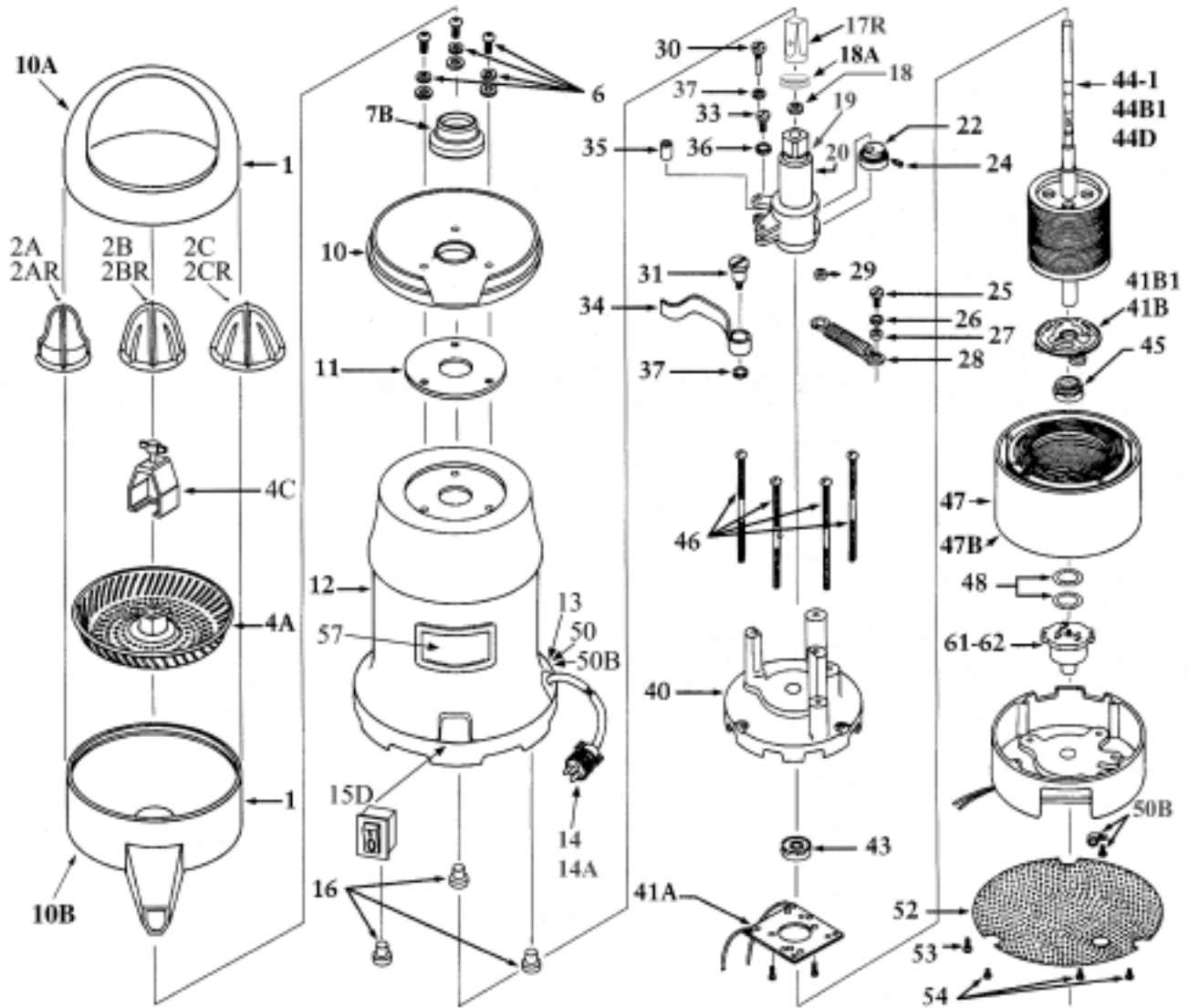
Effective Date November 1, 2011

Complete Juicer Units

Model #	Description	Units Master Carton	Weight Per Master Carton	Price
J-1 / J-5	Type 8 AC 115/60 with oscillating strainer	1	37 lbs.	\$613.00
J-2	Type 8 AC 230/50 with oscillating strainer	1	37 lbs.	\$628.00
J-4	Type 8 AC 230/60 with oscillating strainer	1	37 lbs.	\$628.00

Individual Parts – Optional

Part Number	Description	Price	Part Number	Description	Price	Part Number	Description	Price
1.	Plastic Bowl Assembly incl. dome (10A), spout (10B) & bowl support (10)	\$68.00	15E.	Connectors for 14 & 15D (set of 4) (not illustrated)	\$ 6.00	41A.	Stationary Motor Switch - Howell Motor	45.00
2.	Extracting Bulb Set w/metal insert (Only use with 17 or 17C)	68.00	16.	Rubber Feet (set of 3)	9.00	41B.	Centrifugal Motor Switch 115V - Howell Motor	\$ 33.00
	A. Lemon/Lime fits #8 model	26.00	17.	Shaft Tip w/Pin (not illustrated) (only use with 2A, 2B, and/or 2C) ..	37.00	41B1.	Centrifugal Motor Switch 230V - Howell Motor	33.00
	B. Orange fits #7 & #8 models	26.00	17C.	Shaft Tip w/Pin (graduated tip) (not illustrated) (only use with 2A, 2B, and/or 2C) ..	37.00	43.	Motor Bearing Top or Bottom - Howell	21.00
	C. Grapefruit fits #7 & #8 models ..	26.00	17R.	Shaft Tip w/Pin (flat tip) (only use with 2AR, 2BR, and/or 2CR) ..	37.00	44-1.	Rotor w/shaft Howell Motor 115/60	191.00
2R.	Extracting Bulb Set w/o metal insert (Only use with 17R)	68.00	18.	Eccentric housing Gasket (incl'd w/#20)	2.00	44B1.	Rotor w/shaft Howell Motor 230/50	185.00
	AR. Lemon/Lime	26.00	18A.	Shaft Tip Gasket (fits 17C)	9.00	44D.	Rotor w/shaft Howell Motor 230/60	206.00
	BR. Orange	26.00	19.	Brass Tube	7.00	45.	Motor Bearing Top or Bottom - Ohio	31.00
	CR. Grapefruit	26.00	20-7.	Eccentric Housing w/Bearings, Gasket & Brass Tube #7 Juicer	78.00	46.	Motor Screws (set of 4)	8.00
3.	Lever Lock & Screws for Strainer (for #7 juicer - not illustrated)	12.00	20-8.	Eccentric Housing w/Bearings, Gasket & Brass Tube #8 Juicer	119.00	47.	Stator (winding) - Howell Motor 115/60	185.00
4.	Strainer w/Lever Lock & Screws (for #7 juicer - not illustrated)	72.00	20-8C.	Eccentric Mechanism #8 Juicer	108.00	47B.	Stator (winding) - Howell Motor 230/50	252.00
4A.	Strainer for #8 juicer	64.00	22.	Ecc. Hub w/Bearing & Screw	27.00	48.	Tension Washers - Howell Motor (set of 2)	8.00
4C.	Strainer Puller for #8 juicer	22.00	24.	Ecc. Hub Hex Screw ¼-20x½	2.00	50.	Electric Cord Strain Relief for J-2 ..	3.00
6.	Bowl Support Screws, Spacers, Washers (set of 3)	15.00	25.	Spring Screw to Motor Mount 10-32	2.00	50B.	Electric Cord Strain Relief for J-1, J-4 & J-5	2.00
7.	Umbrella Ring w/Set Screw & Gasket (not illustrated)	19.00	26.	Lock Washers incl. 36 (2) & 37 (3)	2.00	52.	Perforated Base Plate	23.00
7B.	Umbrella Seal (only for use on grooved eccentric housings, replaces 7, 8 & 9)	8.00	27.	Bronze Bushing Coil Spring to Motor Mount ¼ x ⅜ x ¼	2.00	53.	Ground Screw w/Lock Washer for J-1, J-4 & J-5 (set of 2)	2.00
8.	Umbrella Ring Set Screw (incl'd w/7) (not illustrated)	2.00	28.	Coil Spring	4.00	54.	Base Plate Screws for J-1, J-4 & J-5 (set of 3)	3.00
9.	Umbrella Ring Gasket (incl'd w/7) (not illustrated)	2.00	29.	Bronze Bushing Coil Spring to Ecc. Housing ¼ x ⅜ x ⅜	2.00	57.	Logo Plate, Label and Fasteners	8.00
10.	Plastic Bowl Support only (incl'd w/#1)	26.00	30.	Arm Screw - Small ¼-32 x 1½	3.00	61.	Thermal Overload 115/60 - Howell Motor	72.00
10A.	Plastic Dome only (incl'd w/#1)	26.00	31.	Arm Screw - Large ¼-20 x 2½	7.00	62.	Thermal Overload 230/50 - Howell Motor	87.00
10B.	Plastic Spout only (incl'd w/#1)	26.00	33.	Spring Screw to Ecc. Housing ¼-32	2.00	64.	Model #7 or #8 Motor - 115/60 4.3 amp - 1725 rpm	350.00
11.	Bowl Support Gasket	11.00	34.	Eccentric Arm	17.00	65.	Model #7 or #8 Motor - 230/50 2.5 amp - 1425 rpm	361.00
12.	Chrome Motor Housing	108.00	35.	Ecc. Arm Bronze Bushing ½ x ⅜ x ⅜	4.00	67.	Model #7 or #8 Motor - 230/60 2.2 amp - 1725 rpm	361.00
13.	Electric Cord Bushing (use w/50B)	7.00	36.	Lock Washer, ⅜, Internal Tooth	1.00			
14.	Electric Cord 115/60	25.00	37.	Lock Washer, ¼, Internal Tooth	1.00			
14A.	Rubber Cord - Export	25.00	40.	Top Motor Casting	88.00			
15.	Toggle Switch w/Switch Guard (not illustrated)	37.00						
15D.	Rocker Switch w/Switch Seal	23.00						



Specifications

Chrome plated steel housing. Corrosion proof plastic dome, spout & bowl support.

Safe...Listed by Underwriters Laboratories, CSA International®, NSF International® and VDE as applicable.

Shipping weight37 pounds
 Net weight31 pounds
 Overall dimensions17" high, 8" diameter
 Horsepower1/4
 Cube1.12
 Carton size22 3/4" x 9 1/4" x 9 1/4"



www.sunkistfs.com/equipment

All prices quoted are subject to change without notice. The amount of any present or future tax shall be paid by the purchaser. Address all inquiries to your local dealer, or contact Sunkist Foodservice Equipment Customer Service at (800) 383-7141.

Products must not be returned to Sunkist without a return authorization number.