

Complete Sectionizer Model

Complete Sectionizer unit comes with Blade Cup of your choice, and corresponding Plunger.

Units Per Master Ctn.	Weight Per Master Ctn.	Suggested List Price
1	15	\$230.00

Complete Model	Blade Cup Style	Description
S-101	4 Wedge	4 evenly spaced and cut wedges.
S-102	6 Wedge	6 evenly spaced and cut wedges.
S-103	6 Slice	6 slices 5/16" thick. Must use plunger #10.
S-104	8 Wedge	8 evenly spaced and cut wedges.
S-105	3-in-1	2 halves scored in 3 wedges each (primarily for school foodservice).
S-107	Single	Cuts fruits & vegetables in half.

Apple Sectionizer Model

S-106 – Apple Model
6 evenly spaced and cut wedges with center core removed.

Units Per Master Ctn.	Weight Per Master Ctn.	Suggested List Price
1	15	\$250.00

Basic Sectionizer Model

S-100 – Basic Sectionizer Unit
No Plunger and No Blade Cup

Units Per Master Ctn.	Weight Per Master Ctn.	Suggested List Price
1	14	\$200.00

Individual Parts – Optional

8 wedge, 6 wedge, 4 wedge, 3-in-1 and single wedge cups are interchangeable and use the same plunger. A wedge may be changed to a slicer or slicer to wedge by replacing cup, plunger and neoprene cup cover.
S-32 Apple Blade Cup can only be used with S-33 Apple Plunger.

Part Number	Parts Description	Price
S-1	Foot Pad (set of 6)	\$ 4.00
S-2	Base Assembly	120.00
S-3B	Blade Cup w/cover (6 wedge) (fits S-9)	48.00
S-4B	Blade Cup w/cover (6 slice) (fits S-10)	62.00
S-5B	Blade Cup w/cover (4 wedge) (fits S-9)	46.00
S-6	Wedge Cup cover (sold w/S-3, S-5, S-29, S-30, S-32, S-35)	12.00
S-7	Slicer Cup cover (sold w/S-4)	12.00
S-8	Outer Shell	60.00
S-8D	Pin & Thread Assembly	6.00
S-9	Plunger Wedger (fits parts S-3, S-5, S-29, S-30, S-35)	24.00
S-10	Plunger Slicer (fits S-4)	24.00
S-11	Crossbar Assembly	48.00
S-12	Back Screw #8 x 1/2" (set of 8)	2.00
S-13	Back Cover	26.00
S-14	Spring Pin (set of 2)	2.00
S-23	Gears & Shaft Set	58.00
S-24	Base Side Screw 6-32 x 1/2" (set of 10)	2.00
S-25	Plastic Shaft Cover	8.00
S-26	Handle	16.00
S-27	Knob	14.00
S-28	Bottom Screw #8 x 1/2" (set of 4)	2.00
S-29B	Blade Cup w/cover (8 wedge) (fits S-9)	50.00
S-30B	Blade Cup w/cover (3-in-1) (fits S-9)	56.00
S-31	Plastic Production Stand (see below)	100.00
S-32B	Apple Corer Cup (fits S-33)	84.00
S-33	Apple Plunger (fits S-32)	30.00
S-34	Apple Corer Set (S-32 & S-33)	100.00
S-35B	Blade Cup w/cover (single) (fits S-9)	44.00

Plastic Production Stand (Optional)

Part Number S-31



A sturdy plastic stand that allows serving pans to pass under the sectionizer for greater production flexibility.

Overall dimensions 5 3/4" high, 14 1/2" wide
Shipping Weight 2 lbs., 3 oz.

Blade Cup Styles



4 Wedge



6 Wedge



6 Slice



8 Wedge



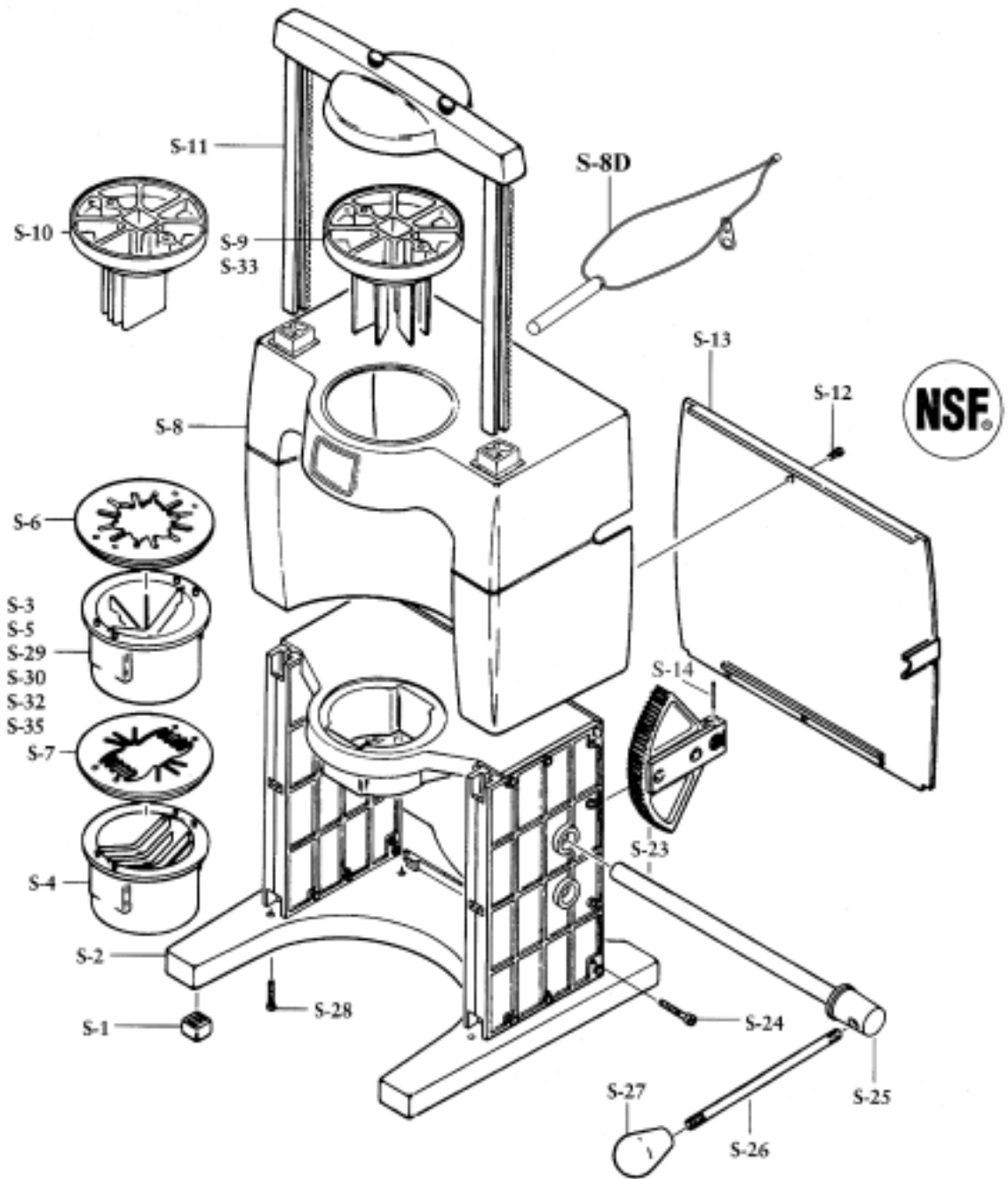
3-in-1



Apple Model



Single



Complete Sectionizer Specifications

Safe...Listed by NSF International®.

Overall dimensions15½" high, 15¼" wide, 13¾" deep

Net weight13 pounds

Shipping weight15 pounds

Cube2.32

Carton size17½" high, 17¼" wide, 13¼" deep

www.sunkistfs.com/equipment

All prices quoted are subject to change without notice. The amount of any present or future tax shall be paid by the purchaser. Address all inquiries to your local dealer, or contact Sunkist Foodservice Equipment Customer Service at (800) 383-7141.

Products must not be returned to Sunkist without a return authorization number.